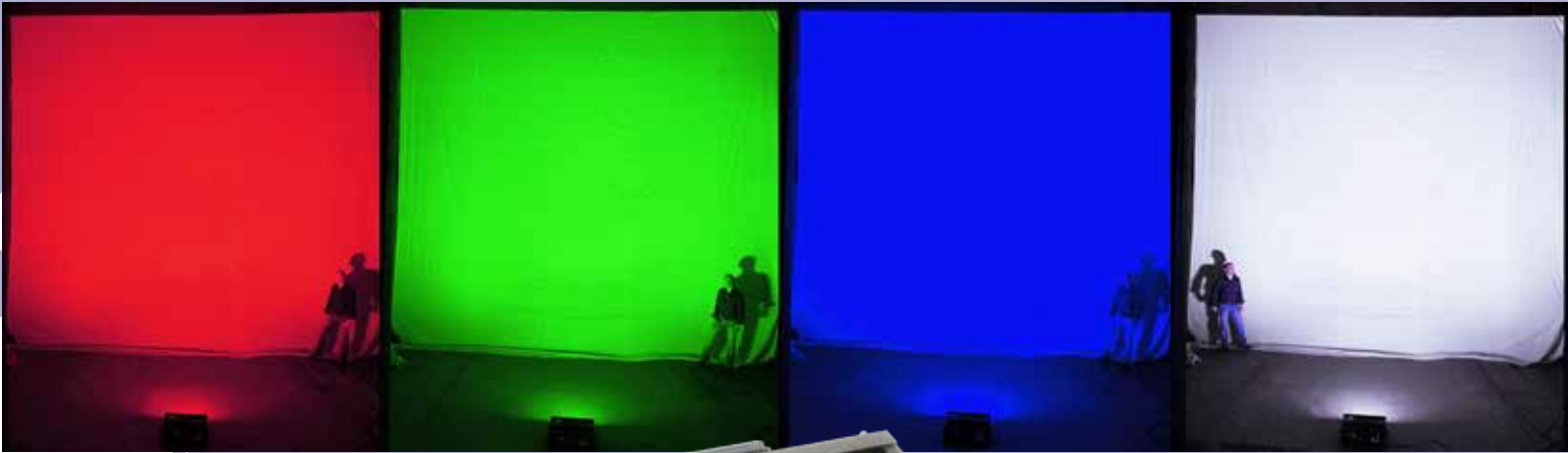




CYCLORAMA LED 300 RGBW



TECHNICAL SPECIFICATIONS



ENTERTAINMENT



ARCHITECTURAL



GREENLINE

Cyclorama LED 300 RGBW

The fixture, with a power of 300 watts RGBW LED and a sophisticated specifically designed optical system, allows to illuminate in an absolutely even way an area of approximately 6 meters wide and 7 meters in height, positioned at a distance from the backdrop of only 1.5 meters.

- Halogen, Mains
- Halogen, Low Voltage
- Discharge
- LED White
- LED Tunable White
- LED RGB
- LED RGBW



All the world is a stage.



CYCLORAMA LED 300 RGBW

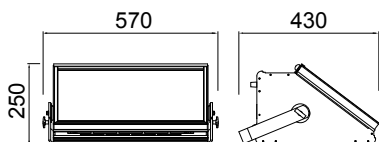


- ✓ With the extremely wide horizontal beam and the possibility to generate with LEDs an almost infinite range of colours, you get a significant savings both in the number of luminaires needed and in the power used.
- ✓ Thanks to the great extension in height of the light beam and the use of the fixture from below and from above, you can easily illuminate also the highest backdrops as in large opera houses.
- ✓ The possibility of connecting many pieces as master and slave make easier the DMX set up of a full cyclorama.
- ✓ No more dark filter fading during the shows, because the colours are generated directly by the light source
- ✓ Internal memory for playback of automatic soft sequences and chasers.

MAIN TECHNICAL FEATURES

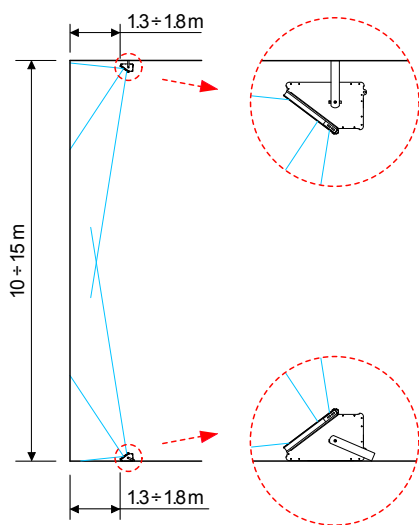
- Power: 300W at 100-240V
- DMX control with RDM function
- 8 or 16 bit control of RGBW for extra soft dimming and colour mixing
- Selection up to 16 millions of colours
- Selectable "CCT White control" from 3000 to 6500 K
- "Cyan, Magenta, Yellow" possible set up, compatible with subtractive colour systems.
- "Hue and saturation" possible set up for direct control of the most sophisticated "nuances"
- "Slave and master" possible set up for quick control of large installations
- Powercon® connectors in and out for faster installation

DIMENSIONS (mm) AND WEIGHT

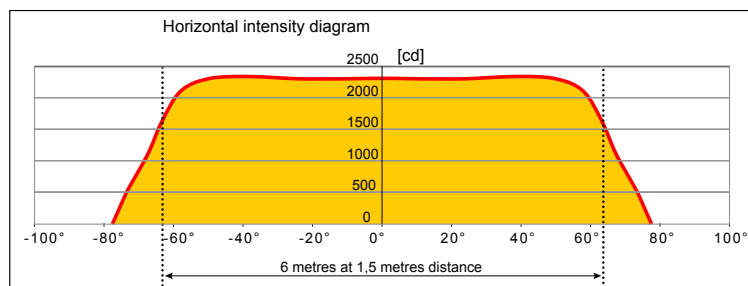
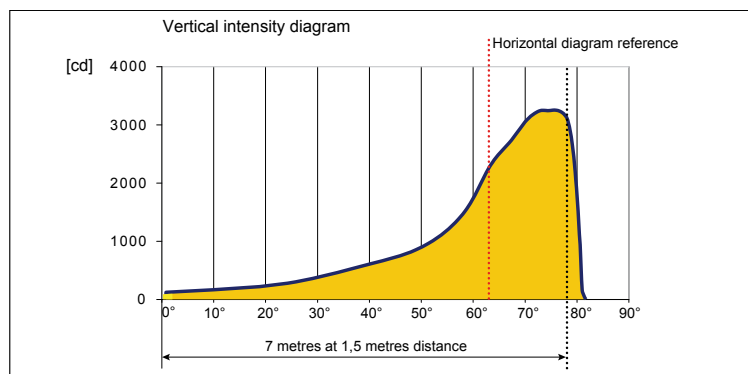


Kg. 14

FLOOR AND CEILING MOUNTING



PHOTOMETRIC DATA (*)



(*) at full RGBW colours

Spotlight Srl - Via Sardegna 3 - 20098 - S. Giuliano Milanese - Milano - Italy
Tel. +39 02 98 83 055 - Fax +39 02 98 83 056 - sales@spotlight.it - www.spotlight.it

CSQ certified quality management system ISO 9001:2008